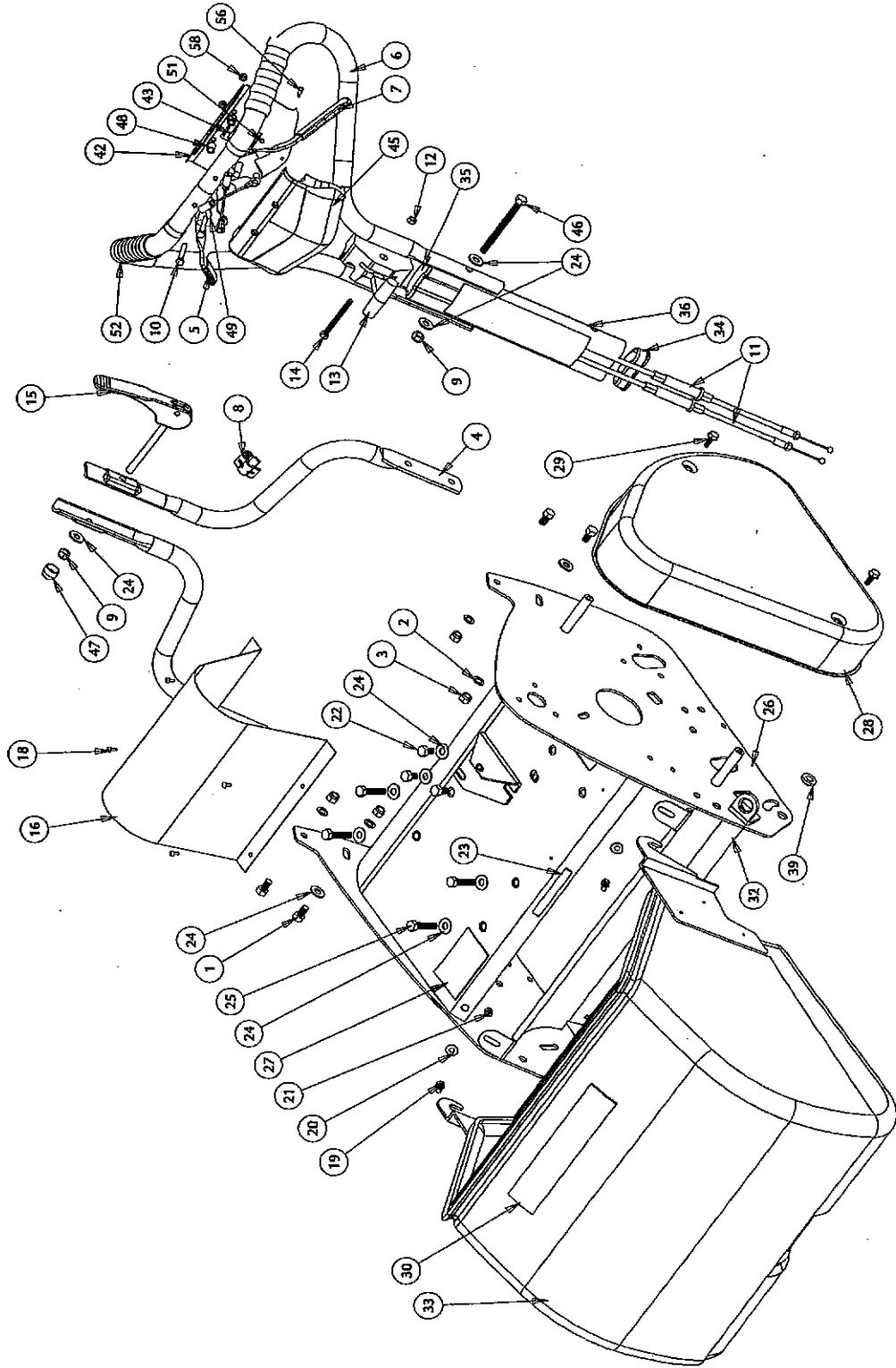




MODEL: TWIN DRIVE REEL MOWER - FRAME ASSEMBLY

v5 October 11





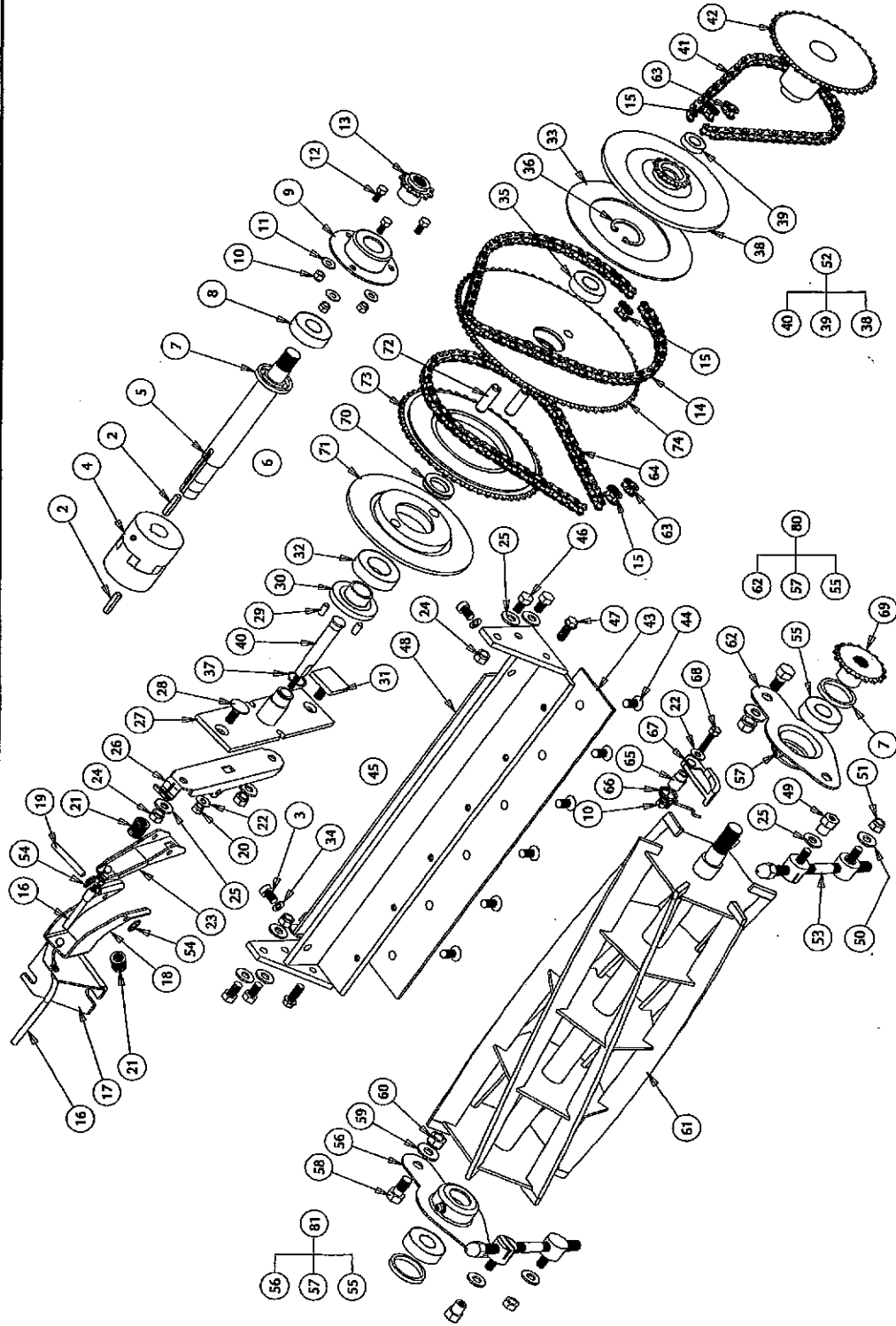
**MODEL: TWIN DRIVE REEL MOWER - COMPLIANCE FRAME ASSEMBLY** v5 October 11

ITEM	DESCRIPTION	PART No	ITEM	DESCRIPTION	PART No
1	BOLT HT ZP M8X20 SET SCREW	FBOPL02	28	GUARD-CHAIN LM/SIL	L1010-705S
2	WASHER SPRING ZP M8	FWAPL58	28	GUARD-CHAIN PRI GRN	L1010-705G
3	NUT ZP M8	FNUPLO8	28	GUARD-CHAIN BRI RED	L1010-705R
4	HANDLE-LOWER 400 CHROME V2	L1450-165	29	SCREW TAPTITE M6X16 HEX HD ZP	L0108-030
4	HANDLE-LOWER 500 CHROME V2	L1550-165	30	DECAL-GENERAL SAFETY	L1070-233
4	HANDLE-LOWER 600 CHROME V2	L1550-165			
5	LEVER-RH NO TEETH OVERMOULD V4	L1050-887			
6	HANDLE-UPPER REEL CHROME V3	L1050-761	32	GRASS THROWER 400 LM/SIL	L1410-216
7	LEVER-LH NO TEETH OVERMOULD V4	L1050-867	32	GRASS THROWER 400 PRI GRN	L1410-220
8	REF L0135-033	504150	32	GRASS THROWER 400 BRI RED	L1410-195R
9	NUT NYLOC ZP M8	FNPLP08	32	GRASS THROWER 500 LM/SIL	L1510-215
10	BOLT HT ZP M5X40 SET SCREW	FBOPL07	32	GRASS THROWER 500 PRI GRN	L1510-220
11	CABLE-CLUTCH 1620MM/2.0 V3	L1050-695	32	GRASS THROWER 500 BRI RED	L1510-225
12	NUT NYLOC ZP M6	FNPLP06	32	GRASS THROWER 660 LM/SIL	L1610-195S
13	THROTTLE CTRL 860MM T-BAR	L1050-090	32	GRASS THROWER 660 PRI GRN	L1610-195G
14	BOLT ZP M6X55 ENG	FBOPL13	32	GRASS THROWER 660 BRI RED	L1610-195R
15	LEVER-HANDLE LOCK ASSY 460/06	514005	33	CATCHER 400 BLACK COMPLETE	L1465-260
16	COVER-SHAFT 400 LM/SIL	L1410-700S	33	CATCHER ASSY 660 BLACK	L1665-200B
16	COVER-SHAFT 400 PRI GRN	L1410-700G	34	CAP-ELLIPTICAL HANDLE NO SLOTS	514025
16	COVER-SHAFT 400 BRI RED	L1410-700R	35	CAP-ELLIPTICAL HANDLE SLOTTED	L1050-180
16	COVER-SHAFT 400 RAC GRN	L1410-700M	36	HANDLE-ELLIPT 360MM CHROME	L1050-170
16	COVER-SHAFT 500/660 LM/SIL	L1510-700S	37	LATCH-THUMB BRI RED REEL V3	L1050-837
16	COVER-SHAFT 500/660 PRI GRN	L1510-700G			
16	COVER-SHAFT 500/660 BRI RED	L1510-700R			
16	COVER-SHAFT 500/660 RAC GRN	L1510-700M	39	WASHER-KEEPER SIDE PLATE ZP	L1006-178
18	SCREW ST SS PHD SQUA #8X1/2	FSCPL08	42	COVER-REAR PLATE BLK REEL V3	L1050-787
19	BOLT ZP M6X12 SET SCREW	FBOPL03	43	INTERLOCK-LEVER V2/NYL	L1050-821
20	WASHER SPRING ZP M6	FWAPL56	45	COVER-FRONT LEVER HOUSING V4	L1050-802
21	NUT ZP M6	FNUPLO6	46	BOLT HT ZP M8X65 ENG	FBOPL82
22	BOLT HT ZP M8X16 SET SCREW	FBOPL18			
23	DECAL-RAZOR CUT SYSTEM	L1070-234	48	SPACER-LEVER HANDLE HOUSING	L1050-807
24	WASHER FLAT ZP M8X19X1.6	FWAPL08	49	WASHER-NYLON 8.5 X 20 X *1MM*	L1050-808
25	BOLT HT ZP M8X35 SET SCREW	FBOPL35			
26	FRAME-400 W/A LM/SIL	L1405-710S	51	RIVET AVEX 4.8MM 1.0-10.0	FRIPL06
26	FRAME-400 W/A PRI GRN	L1405-710G	52	GRIP-HANDLE PVC 340MM OVRMOULD	L1050-840
26	FRAME-400 W/A BRI RED	L1405-710R			
26	FRAME-500 W/A LM/SIL	L1505-710S	56	SCREW ST SS PHD SQUA #8X1/2	FSCPL08
26	FRAME-500 W/A PRI GRN	L1505-710G	57	SPRING-THUMB LATCH RETURN	L1050-826
26	FRAME-500 W/A BRI RED	L1505-710R	58	NUT ZP M5 THIN	FNUPL30
26	FRAME-660/C W/A SILVER	L1605-710S			
26	FRAME-660/C W/A PRI GRN	L1605-710G			
26	FRAME-660/C W/A BRI RED	L1605-710R			
27	DECAL-CAUTION REEL HANDS&FEET	L1070-230			



MODEL: TWIN DRIVE REEL MOWER - DRIVE SYSTEM

v5 October 11





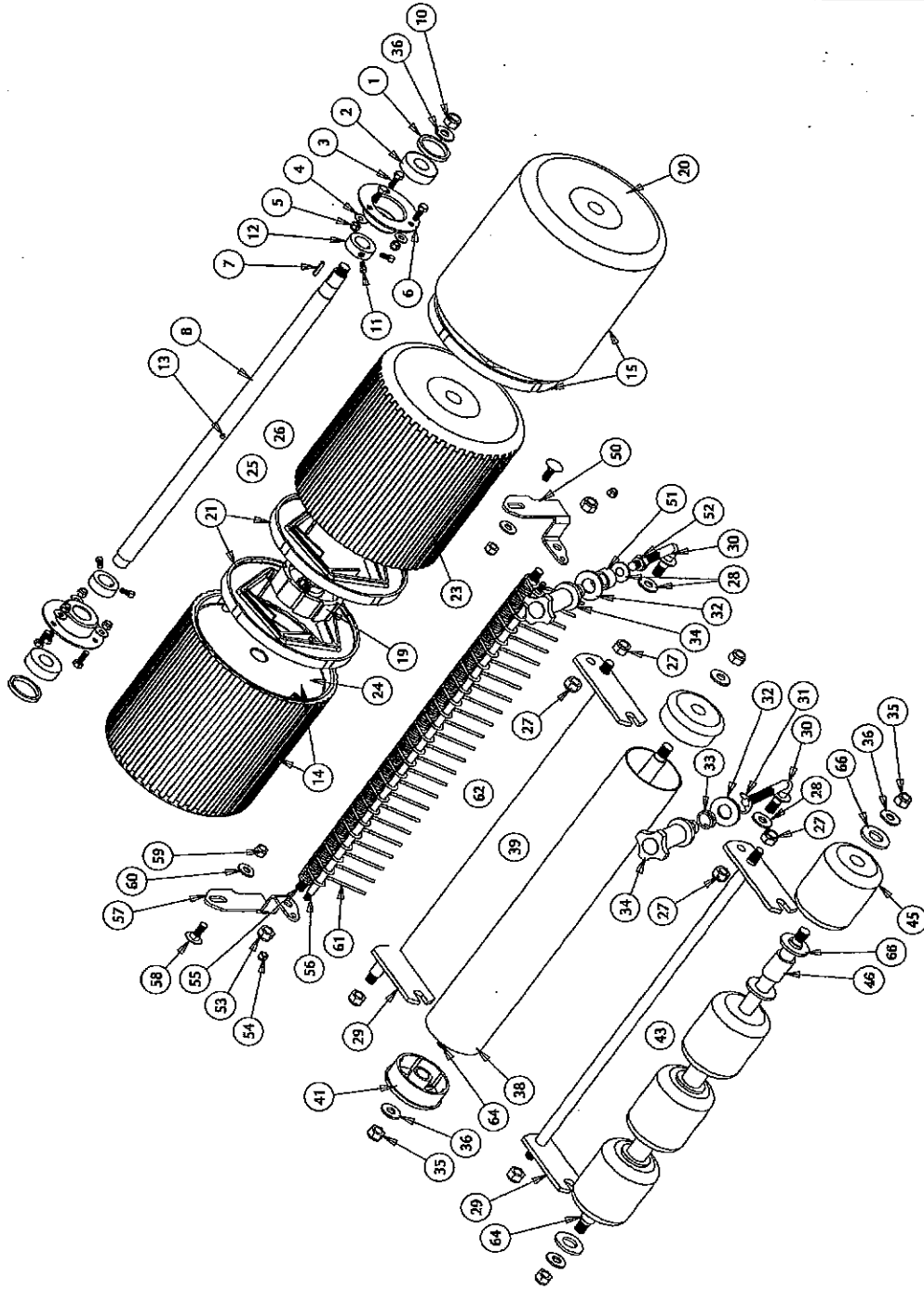
**MODEL: TWIN DRIVE REEL MOWER - DRIVE SYSTEM**

v5 October 11

ITEM	DESCRIPTION	PART No	ITEM	DESCRIPTION	PART No
2	KEY-CENT CLUTCH 3/16X1	L1015-385	42	SPROCKET-ROLLER 39T W/A	L1020-753
3	SCREW SKT HD T304 5/16X1/2 UNC	FSCPL55	43	BLADE BOTTOM-400 FLAT	L1440-295
4	COUPLING-INLINE 3/4" TYPE 085	L1015-700	43	BLADE BOTTOM-500 FLAT	L1540-295
4	COUPLING-INLINE 5/8" TYPE 085	L1015-705	43	BLADE BOTTOM-660 FLAT	L1640-295
5	BAR-DRIVE 400 3/4" BLACK	L1415-700B	44	SCREW MC ZP CSK SLT 5/16X1/2	FSCPL41
5	BAR-DRIVE 400 5/8" BLACK	L1415-710B	45	BLADE BOTTOM ASSY-400 FLAT	L1440-460
5	BAR-DRIVE 500/660 3/4" BLACK	L1515-700B	45	BLADE BOTTOM ASSY-500 FLAT	L1540-460
5	BAR-DRIVE 500/660 5/8" BLACK	L1515-710B	45	BLADE BOTTOM ASSY-660 FLAT	L1640-460
6	BAR ASSY-DRIVE 400 3/4"	L1415-705	45	BLADE BOTTOM ASSY GOLF SHAVER	L1740-450
6	BAR ASSY-DRIVE 400 5/8"	L1415-715	46	BOLT HT ZP M8X20 SET SCREW	FBOPLO2
6	BAR ASSY-DRIVE 500/660 3/4"	L1515-705	47	SCREW TAPTITE M8X20 HEX HD ZP	L0108-039
6	BAR ASSY-DRIVE 500/660 5/8"	L1515-715	47	CARRIER ASSY-BOTTOM BLADE 400	L1440-390
7	SPACER BEARING PLASTIC HDPE	L1060-120	48	CARRIER ASSY-BOTTOM BLADE 500	L1540-390
8	BEARING 6203-2RS	FBRL080	48	CARRIER ASSY BOTTOM BLADE 660	L1640-390
9	HOUSING BEARING ROUND BLACK	L1080-145	49	NUT-STUD CATCHER M8 ZP	L1035-240
10	NUT ZP M6	FNULP06	50	WASHER FLAT ZP M8X19X1.6	FWAPL08
11	WASHER SPRING ZP M6	FWAPL56	51	NUT NYLOC ZP M8	FNPLP08
12	BOLT HT ZP M6X16 SET SCREW	FBOPLO1	52	CLUTCH/BEARING ASSY-REEL UNIT	L1020-731
13	SPROCKET-MOTOR 10T THREADED	L1020-741	53	ADJUSTER ASSY-REEL SQUEEZED	L1035-290
14	CHAIN-3/8"35-1 72P ENDLESS	L1025-725	54	WASHER STARLOCK M6 PUSHON FIX	L0135-015
15	CHAIN CONN LINK 3/8 ANSI 35	L1025-490	55	REF FBRL080	FBRL070
16	CABLE-CLUTCH 1305MM V1/OPC	L1050-700	56	HOUSING-REEL BEARING RH BLK V1	L1035-215
17	BRACKET-CABLE RETAIN W/A BLACK	L1020-785B	57	NIPPLE-GREASE 1/4 SAE STRAIGHT	L1060-110
18	BRACKET-CLUTCH REEL ZP	L1020-710Z	58	BOLT-REEL ADJ PIVOT ZP	L1035-230
19	PIN-6 X 45 LONG ZP	L1020-770Z	59	WASHER-REEL BRNG HSNG 3/8 ZP	L1035-200
20	NUT NYLOC ZP M6	FNULP06	60	NUT NYLOC ZP 3/8" UNF	FNPLP45
21	SPRING-CLUTCH ZP	L1220-395	61	REEL ASSY-400 6 BLADE	L1435-400
22	WASHER FLAT ZP M6X16X1.2	FWAPL06	61	REEL ASSY-500 6 BLADE	L1535-400
23	LEVER-CLUTCH ROLLER ZP	L1020-700Z	61	REEL ASSY-660 6 BLADE	L1635-400
24	NUT ZP M8	FNULP08	61	REEL ASSY GOLF 10 BLADE	L1735-400
25	WASHER SPRING ZP M8	FWAPL58	61	REEL ASSY-660 10 BLADE	L1135-400
26	BRACKET-CLUTCH ROLLER ZP	L1020-705Z	62	HOUSING-REEL BEARING LH BLK V1	L1035-205
27	PLATE-CLUTCH MOUNT W/A	L1020-720	63	CHAIN CRANK LINK 3/8 ANSI 35	L1025-480
28	BOLT ZP M8X20 CUP HD	FBOPL21	64	CHAIN-3/8"35-1 67P ENDLESS	L1025-720
29	PIN-CLUTCH THRUST	L1020-726	65	BOSS-CHAIN TENSION	L1025-700
30	BLOCK-CLUTCH THRUST	L1020-725	66	SPRING-TORSION REEL	L1025-705
31	PLATE-CLAMP CLUTCH ASSY	L1020-785	67	SHOE-CHAIN TENSION	L1025-710
32	BEARING 6005-2RS	FBRL130	68	BOLT ZP M6X30 SET SCREW	FBOPLO9
33	LINING-CLUTCH 140X90X2.0MM	L1020-780	69	SPROCKET-REEL 17T	L1020-755
34	WASHER FLAT SS T304 M8X16X1.2	FWAPL08	70	SPRING-DISC (BISSELL)	L1020-762
35	BEARING 6003-2RS	FBRL120	71	PLATE-DRIVE	L1020-810
36	CIRCLIP-INTERNAL 35MM	L0135-064	72	ROLL PIN M10X30	L1020-739
37	CIRCLIP-EXTERNAL 17MM	L0135-063	73	SPROCKET-51T COMPLETE	L1020-744
38	PLATE-CLUTCH ROLLER W/A	L1020-730	74	SPROCKET-66T CLUTCH 2002	L1020-800
39	BEARING 6801-2RS	FBRL110			
40	BAR-CLUTCH CONTROL	L1020-715	80	HOUSING ASSY-REEL BRNG LH V1	L1035-210
41	CHAIN-3/8"35-1 53P ENDLESS	L1025-716	81	HOUSING ASSY-REEL BRNG RH V1	L1035-220

**MODEL: TWIN DRIVE REEL MOWER - ROLLER ASSEMBLY**

v5 October 11





# MODEL: TWIN DRIVE REEL MOWER - ROLLER ASSEMBLY

v5 October 11

ITEM	DESCRIPTION	PART No	ITEM	DESCRIPTION	PART No
1	SPACER BEARING PLASTIC HDPE	L1060-120	30	STUD-FRONT ROLLER ADJ CHROME	L1045-230
2	BEARING 6203-2RS	FBRL080	31	CIRCLIP E TYPE 5/8"	L0135-025
3	BOLT HT ZP M6X16 SET SCREW	FBOP101	32	WASHER FLAT ZP M16X25X1.6	L0115-016
4	WASHER SPRING ZP M6	FWAPL56	33	SPRING FRONT ROLLER ADJUSTER	L1045-220
5	NUT ZP M6	FNUPL06	34	HANDWHEEL FRONT ROLLER ADJ	L1045-240
6	HOUSING BEARING ROUND BLACK	L1060-145	35	NUT NYLOC ZP M12	FNLPL12
7	KEY-BACK ROLLER DRIVE 1/8X3/8	L1030-170	36	WASHER FLAT ZP 1/2X1-1/8X16G	FWAPL28
8	SHAFT-BCK ROLLER 400 V2/BPIN	L1430-351	38	TUBE-RLR FRONT STEEL 400 ZP V2	L1445-408Z
8	SHAFT-BCK ROLLER 500 V2/BPIN	L1530-351	38	TUBE-RLR FRONT STEEL 500 ZP V2	L1545-408Z
8	SHAFT-BCK ROLLER 660 V2/BPIN	L1630-351	38	TUBE-RLR FRONT STEEL 660 ZP V2	L1645-408Z
10	NUT HALF ZP M12	L0110-013	39	REF L1445-405 & L1045-300/301	L1445-425
11	SCREW SKT HD T304 5/16X1/2 UNC	FSCPL55	39	ROLLER FRONT ASSY-500 STEEL V2	L1545-425
12	COLLAR-LOCKING BACK ROLLER ZP	L1030-230	39	ROLLER FRONT ASSY-660 STEEL V2	L1645-425
13	ROLL PIN SC 3/16X1	L0135-005	41	CAP-END STEEL FRONT ROLLER	L1045-315
14	DRUM ASSY-BR 400 RIBBED V2/PE	L1230-304	43	ROLLER FRONT ASSY-400 WOOD V2	L1445-430
14	DRUM ASSY-BR 500 RIBBED V2/PE	L1230-322	43	ROLLER FRONT ASSY-500 WOOD V2	L1545-430
14	DRUM ASSY-BR 660 RIBBED V2/PE	L1230-307	43	ROLLER FRONT ASSY-660 WOOD V2	L1645-430
15	DRUM ASSY-BR 400 PLAIN V2/PE	L1430-332	45	ROLLER WOOD 82MM STAIN HD/WOOD	L1045-390
15	DRUM ASSY-BR 500 PLAIN V2/PE	L1530-332	46	SPACER-FRNT ROLLER 400 744480B	L1445-385
15	DRUM ASSY-BR 660 PLAIN V2/PE	L1630-307	46	SPACER-FRNT ROLLER 500 744440B	L1545-385
19	RATCHET PE-BACK ROLLER V2	L1030-255	46	SPACER-FRONT ROLLER 660 NYLON	L1645-385
20	DRUM-BR 400 PLAIN V2/PE	L1430-331	50	BRACKET-TURF RAKE LH ZP V2	L1745-107Z
20	DRUM-BR 500 PLAIN V2/PE	L1530-331	51	SPACER-ROLLER 17MM ZP	L1045-350Z
20	DRUM-BR 660 PLAIN V2/PE	L1630-308	52	NUT ZP M10	FNUPL10
21	PAWL PE-BACK ROLLER V2	L1030-281	53	NUT NYLOC ZP THIN 3/8 UNF	L0111-046
23	DRUM-BR 400 RIBBED V2/PE	L1230-303	54	NUT NYLOC ZP M6	FNLPL06
23	DRUM-BR 500 RIBBED V2/PE	L1230-321	55	SHAFT-TURF RAKE 1/2" 660 ZP	L1145-130
23	DRUM-BR 660 RIBBED V2/PE	L1230-306	55	SHAFT-TURF RAKE 1/2" GOLF ZP	L1745-130
24	DRUM END-BACK ROLLER V2/PE	L1030-305	56	SHAFT-TURF RAKE 5/16" 660 ZP	L1145-140
25	ROLLER BACK ASSY 400 PLN V2/PE	L1430-451	56	SHAFT TURF RAKE 5/16" GOLF ZP	L1745-140
25	ROLLER BACK ASSY 500 PLN V2/PE	L1530-451	57	BRACKET TURF RAKE RH ZP V2	L1745-108Z
25	ROLLER BACK ASSY 660 PLAIN V2/PE	L1630-451	58	BOLT ZP M8X20 CUP HD	FBOP121
26	ROLLER BACK ASSY 400 RIB V2/PE	L1230-361	59	NUT NYLOC ZP M8	FNLPL08
26	ROLLER BACK ASSY 500 RIB V2/PE	L1230-396	60	WASHER FLAT ZP M8X19X1.6	FWAPL08
26	ROLLER BACK ASSY 660 RIB V2/PE	L1230-401	61	TINE TURF RAKE	L1745-120
27	NUT NYLOC ZP M10	FNLPL10	62	RAKE ASSY-TURF 660	L1645-150
28	WASHER FLAT ZP M10X21X1.6	FWAPL10	62	RAKE ASSY-TURF 500 V2	L1545-150
29	BRKT-FRONT ROLLER WA 500 ZP V2	L1545-310	64	SHAFT-FRONT ROLLER 400 ZP	L1445-395
29	BRKT-FRONT ROLLER WA 400 ZP V2	L1445-310	64	SHAFT-FRONT ROLLER 500 ZP	L1545-395
29	BRKT-FRONT ROLLER WA 660 ZP V2	L1645-310	66	WASHER FLAT ZP M16X34X2.5	L0115-056